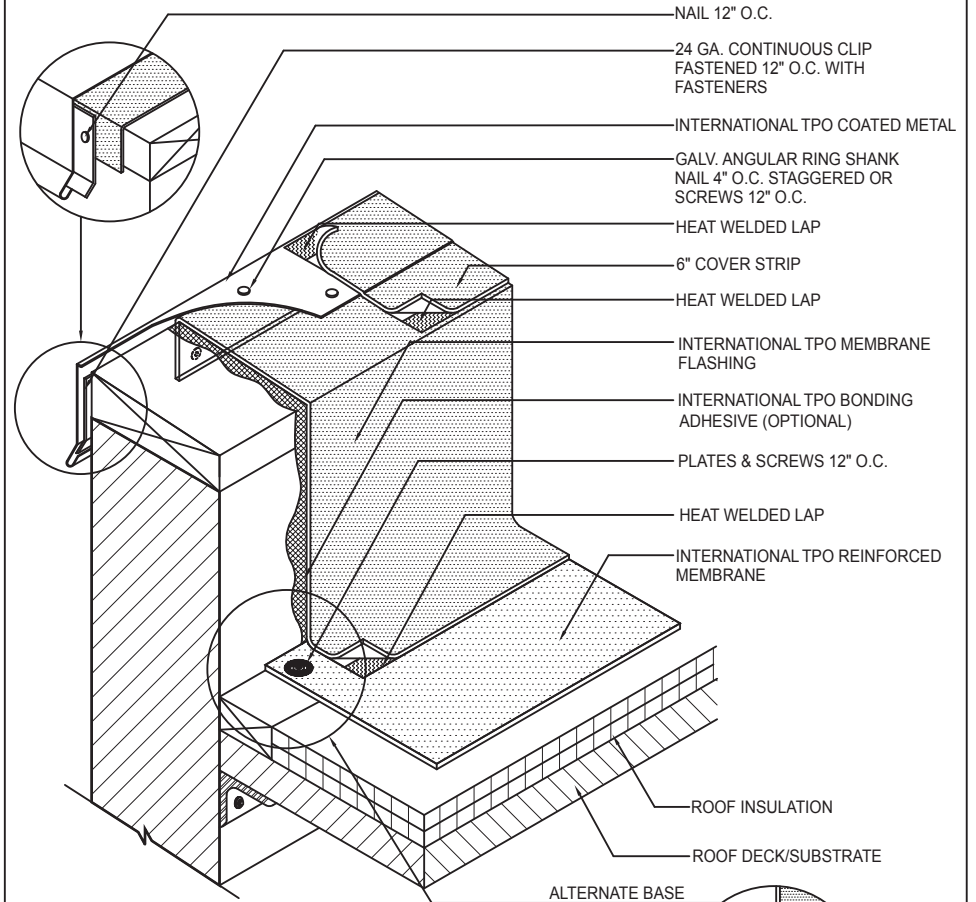


**NOTE:**

1. ADD TOP EDGE TERMINATION IMMEDIATELY AFTER MEMBRANE INSTALLATION.
2. PLATES & SCREWS 6" O.C. REQ'D FOR BALLAST SYSTEMS.
3. ADD INTERNATIONAL TPO CUT EDGE SEALANT TO ALL CUT REINFORCED TPO

**INTERNATIONAL TPO**

**WALL FLASHING WITH  
TERMINATION BAR**



**NOTE:**

1. PLATES AND SCREWS 6" O.C. REQ'D FOR BALLAST SYSTEMS.
2. APPLY INTERNATIONAL TPO CUT EDGE SEALANT TO ALL CUT REINFORCED TPO EDGES.

**INTERNATIONAL TPO**

**WALL FLASHING WITH COATED  
METAL EDGE**

