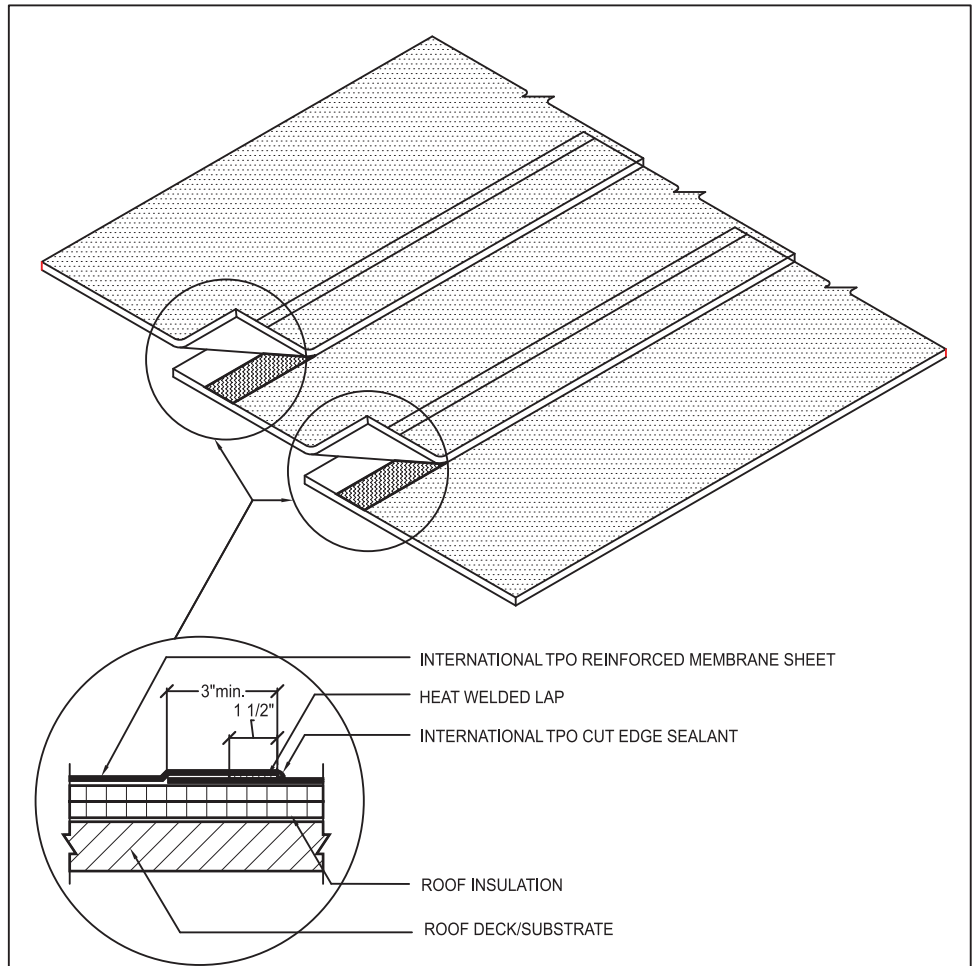


NOTE:

1. SEE INTERNATIONAL TPO MECHANICALLY ATTACHED SYSTEM GUIDELINES TO DETERMINE FASTENER SPACING FOR VARIOUS DECK TYPES AND WIND UPLIFT REQUIREMENTS, AND FOR REQUIRED NUMBER OF PERIMETER HALF SHEETS.

INTERNATIONAL TPO

ROOF MEMBRANE LAYOUT



NOTE:

1. FOR HEAT WELDING LAPS USE 1 1/2" WELD WITH AUTOMATIC MACHINE WELDER.
2. APPLY INTERNATIONAL TPO CUT EDGE SEALANT TO ALL CUT REINFORCED TPO EDGES.

INTERNATIONAL TPO

SIDE LAP