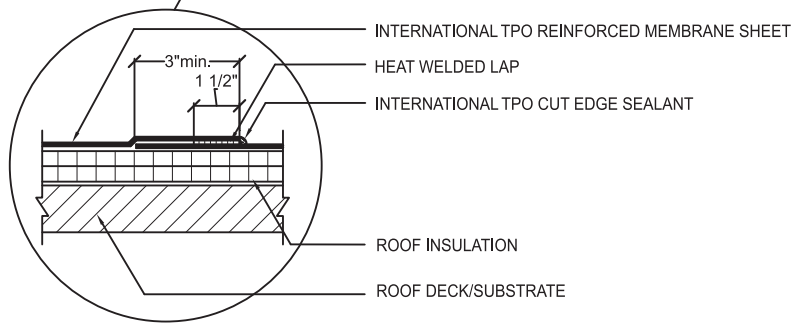


INTERNATIONAL TPO REINFORCED MEMBRANE SHEET



INTERNATIONAL TPO REINFORCED MEMBRANE SHEET

HEAT WELDED LAP

INTERNATIONAL TPO CUT EDGE SEALANT

ROOF INSULATION

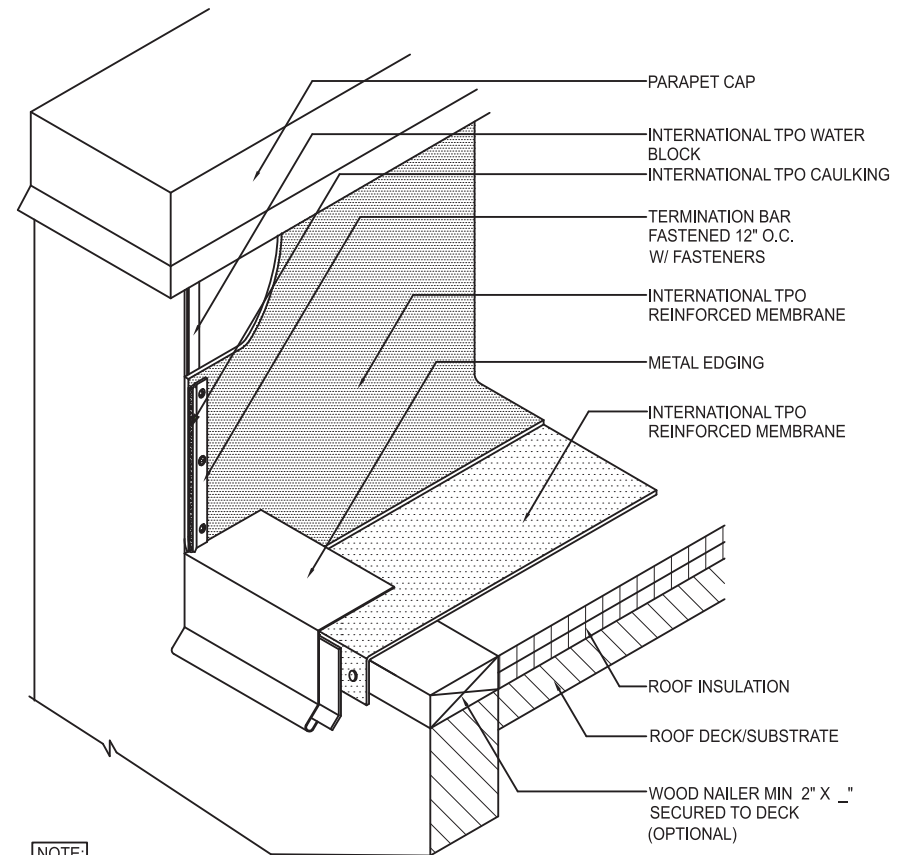
ROOF DECK/SUBSTRATE

**NOTE:**

1. FOR HEAT WELDING LAPS USE 1 1/2" WELD WITH AUTOMATIC MACHINE WELDER AND 2" WELD WITH HAND WELDER.
2. T-JOINTS REQUIRED ON 60 & 80 MIL TPO.
3. APPLY INTERNATIONAL TPO CUT EDGE SEALANT TO ALL CUT REINFORCED TPO EDGES.

**INTERNATIONAL TPO**

**END LAP**



PARAPET CAP

INTERNATIONAL TPO WATER BLOCK

INTERNATIONAL TPO CAULKING

TERMINATION BAR FASTENED 12" O.C. W/ FASTENERS

INTERNATIONAL TPO REINFORCED MEMBRANE

METAL EDGING

INTERNATIONAL TPO REINFORCED MEMBRANE

ROOF INSULATION

ROOF DECK/SUBSTRATE

WOOD NAILER MIN 2" X 4" SECURED TO DECK (OPTIONAL)

**NOTE:**

1. INTERNATIONAL TPO CAULKING TO BE ADDED TO ALL TERMINATION BAR EDGES AND FASTENER HEADS.
2. CAULK ALL EDGES AND ANY OPEN HOLES.
3. REFER TO SPECIFIC EDGE DETAIL FOR APPLICATION.
4. APPLY INTERNATIONAL TPO CUT EDGE SEALANT TO ALL CUT REINFORCED TPO EDGES.

**INTERNATIONAL TPO**

**WALL FLASHING WITH TERMINATION BAR**