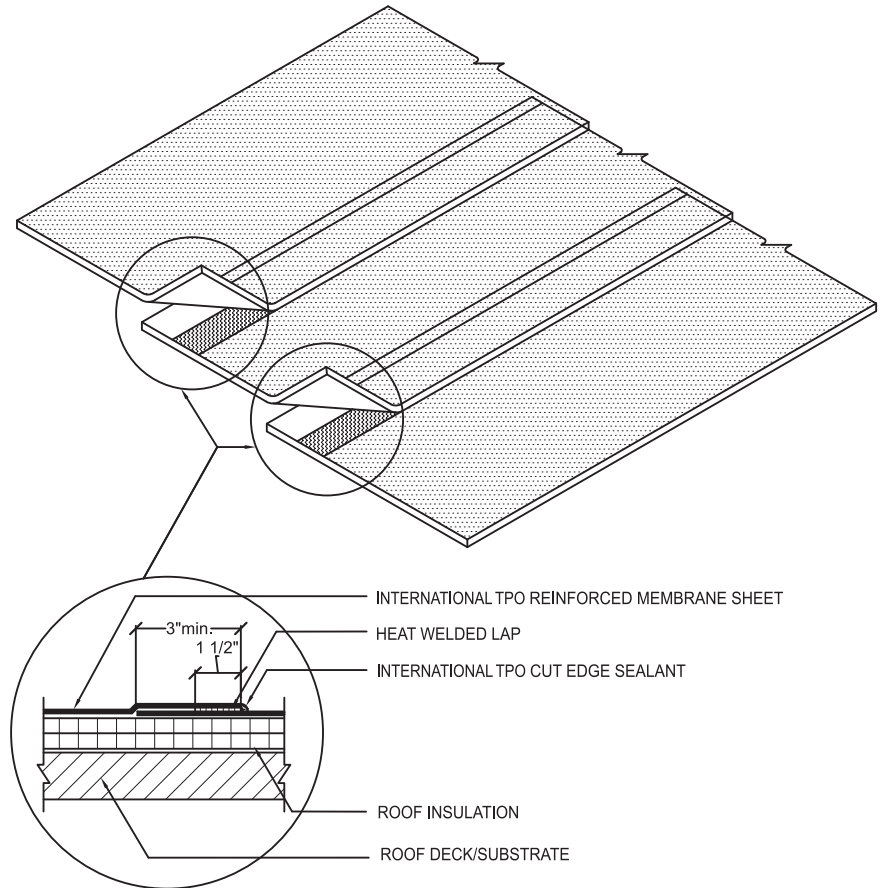


NOTE:

1. STONE/PAVER BALLAST (NOT SHOWN) REQUIRED FOR BALLAST SYSTEMS.
2. INSTALL RETROFIT DRAIN INTO EXISTING DRAIN PER MANUFACTURERS RECOMENDATION.
3. APPLY INTERNATIONAL TPO CUT EDGE SEALANT TO ALL CUT REINFORCED TPO EDGES.

INTERNATIONAL TPO

DRAIN - RETROFIT/ INSERT



NOTE:

1. FOR HEAT WELDING LAPS USE 1 1/2" WELD WITH AUTOMATIC MACHINE WELDER.
2. APPLY INTERNATIONAL TPO CUT EDGE SEALANT TO ALL CUT REINFORCED TPO EDGES.

INTERNATIONAL TPO

SIDE LAP

